

4 Place Settings

# DISHWASHER

## OWNER'S MANUAL

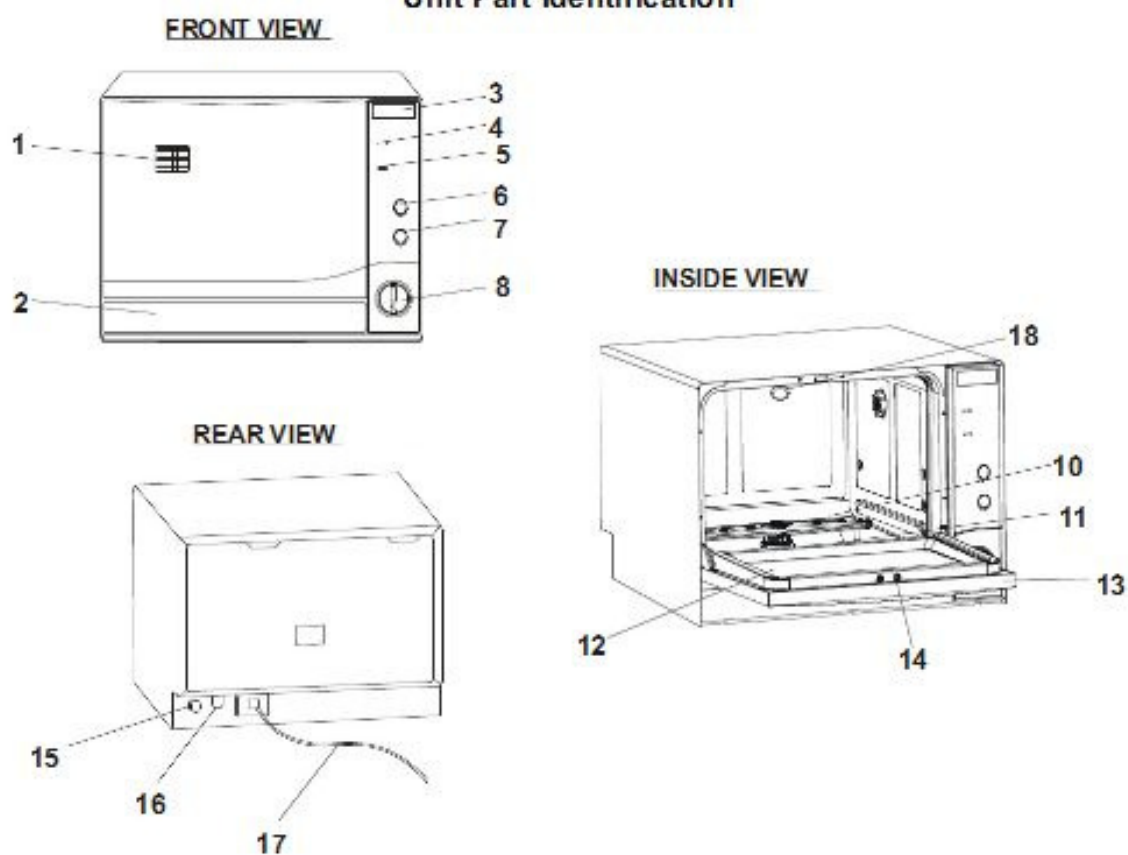
**MODEL: HEDW44004**

**Please read this manual carefully before operating your dishwasher. Retain it for future reference.**

## Table of Contents

	Page
Unit Parts Identification-----	1
Important Safety Instructions-----	2
Installation-----	3
Water Pressure-----	4
Connecting & Disconnection Instructions-----	5
Features-----	6
Operating Tips-----	7
Program Summary/Selection-----	8
Common Problems and Solutions-----	9

### Unit Part Identification



*Illustration shows optional solid door assembly*

- |                             |                            |
|-----------------------------|----------------------------|
| 1. VENTILATION OUTLET       | 11. FILTER                 |
| 2. FRONT PANEL              | 12. DETERGENT LOCATION     |
| 3. DOOR RELEASE BUTTON      | 13. DOOR ASSEMBLY          |
| 4. PILOT LIGHT (POWER)      | 14. DOOR LATCH MECHANISM   |
| 5. PILOT LIGHT (SANI WASH)  | 15. WATER INLET CONNECTION |
| 6. SANI WASH / ECONO BUTTON | 16. DRAIN HOSE CONNECTION  |
| 7. POWER ON/OFF BUTTON      | 17. POWER CORD             |
| 8. PROGRAM / TIMER SELECTOR | 18. RINSE AGENT            |
| 10. SPRAY ARM               |                            |

## IMPORTANT SAFETY INSTRUCTIONS

### WARNING

When using your dishwasher, follow basic safety precautions, including the following:

- Please read this manual carefully before using the dishwasher for the first time.
- This manual contains very important notes regarding the installation, use and maintenance of your dishwasher.
- The manufacturer cannot be responsible for problems caused by ignoring these safety and caution instructions.
- This dishwasher is designed for normal household use.
- Do not use the dishwasher for industrial and commercial use, or other purpose.
- Electrical safety is only guaranteed when the earth system of your house is in accordance with the related local regulations. (Do not use an extension cable or cord.)
- Only suitable household utensils should be placed in the dishwasher. (Please avoid utensils; that are non-heat-resistant, metal decorated, etc.)
- Keep detergents away from children.
- If the hot water exceeds 65°, adjust the water heater setting. If the hot water temperature can not be maintained below 65°, the dishwasher must be connected to cold water.
- Do not use any kinds of solvent in your dishwasher. They may cause an explosion or fire.
- Do not spray water on the appliance. It may cause the failure of electrical parts or electric shock.
- Do not allow children to operate the dishwasher.
- Do not push down or sit on the inner door when the door is opened. It may cause the deformation or failure of your dishwasher.
- Do not use the detergent for hand washing. The detergent for dishwasher should be used for normal operation.
- If power supply cord is damaged, it must be only replaced by the manufacturer or its service agent or a similar qualified person in order to avoid a hazard.
- This appliance is fitted with a safety function that automatically stops the operation of the dishwasher when it is exposed to heavy disturbance on its mains.
- This appliance must be positioned so that the plug is accessible.
- The appliance is not be intended for use by young children or infirm persons without supervision.
- Young children should be supervised to ensure that they do not play with the appliance.
- Dishwasher detergents are strong alkaline. They can be extremely dangerous if swallowed. Avoid contact with skin and eyes and keep children away from the dishwasher when the door is open. Check that the detergent receptacle is empty after completion of the wash cycle.
- The appliance is to be connected to the wash mains using new hose-sets and that old hose-sets should not be re-used.



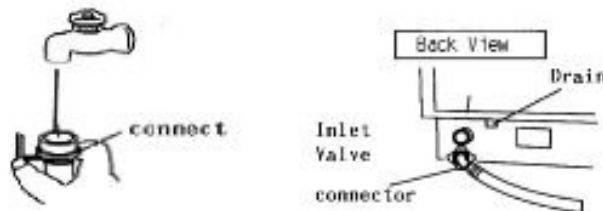
### Electrical Instructions:

An electrical supply of 220-240 volts AC only, 50Hz is required. Make sure that a suitable electrical supply socket is located close to where the dishwasher is to be placed. **For your personal safety, the appliance must be earthed.** The appliance is equipped with a power supply cord having a 3-pin grounding plug. To minimize possible shock hazards it must be plugged into a matching 3-pin grounding type electrical outlet.

If the mains plug is unsuitable for the socket outlet in your home or is removed for any other reason, then the cut off plug should be disposed of safely to prevent the hazard of electric shock.

### Installation Instructions

1. Remove all packing materials carefully
2. The water inlet hose from the machine terminates in a  $\frac{1}{2}$ " female connector. The water supply should therefore terminate in a similar male connector and should have a stopcock close by in the pipe. It is recommended to connect the machine to hot water supply. Connect the straight connector of the inlet hose to the water supply securely. Connect the other end (bent connector) to the water inlet valve at the back of the dishwasher cabinet. Do not over-tighten to avoid damage to threads.
3. Prepare the drainage hose so that it has hooked end. Use the plastic U-bend fitting provided for this purpose. The end of this should be dropped into a drainage standpipe, the maximum height of which should be no more than 6" above the base of the dishwasher. To allow for an air gap around the end of the drain hose, the diameter of the standpipe should be at least 30 mm. Connect the other end of the drain hose (L shaped) to the drain port connection at the back of the dishwasher cabinet. Tighten the drain hose end on to the drain port using the metal clip included in the package.
4. If you so wish, you may connect the water inlet hose on to the kitchen sink tap. You must obtain correct fittings/adaptors to match the inlet hose connectors to ensure secure connection. However, permanent plumbing is recommended.



5. If leaks are located, immediately shut the water supply and check the hose connections fully. Tighten connections if necessary.
6. If for any reason you are unable to stop the leak yourself please seek advice from a qualified plumber.
7. The minimum height clearance required to install your dishwasher on a countertop surface with overhead cupboards is **19" (48cm)**.
8. Make sure there is an electrical power supply within easy reach of the machine. The power cord is 6 feet (182.8cm) long.
9. The dishwasher must be installed on a 'solid' level surface.
10. To level the dishwasher, adjust the 4 level screws (feet) under the dishwasher.

### Water Pressure

For best operating results, incoming water pressure should be between 0.3 and 10 bar.

### FOR BEST RESULTS:

Your dishwasher cleans by spraying a mixture of hot clean water and detergent (under pressure) against the soiled surface of dishes. The water is pumped through a rotating spray arm, drained through a filter removing food and soiled particles and pumped back through the spray arm.

Soiled water is pumped out and replaced with clean water at the end of each cycle (the number of times depends on the cycle being used). For best cleaning results, the water temperature must



be at least 130° F (55°C). To prevent dishwasher damage, the temperature of the incoming water supply should not exceed 160°F (71°C).

NOTE: Hard Water conditions will adversely affect wash ability performance of your dishwasher. Hard Water conditions will also contribute to "Lime" (white film substance) deposits and/or "Scaling" on the stainless steel surface of the dishwasher tub and "Heater Element" located in the sump underneath the removable filter screen. To assist in minimizing these conditions, it is recommended to periodically operate/rinse the inside of the dishwasher (empty) using 1 cup of white vinegar (at least once a week).

### **Disconnecting your Dishwasher**

- Close the hot water supply at the stopcock.
- Disconnect the power supply cord.
- Disconnect the inlet hose assembly from the water supply. When the dishwasher is not in use, place/store the hose on the hanger hose bracket located on the rear wall of the dishwasher cabinet.
- Appliances that are to be discarded must be made unusable. Pull off the plug, remove cable and make the door lock and latch unusable

#### **! IMPORTANT !**

Once you open the water supply line, (even if it is closed immediately thereafter) the water inlet hose will be pressurized.

#### **! CAUTION !**

DO NOT LET CHILDREN DISCONNECT THE DISHWASHER. Close supervision of children is always important around appliances.

### **Loading your Dishwasher**

The dishwasher is designed to receive a standard "4 piece" plate setting consisting of the following:

- 4 Dinner Plates
- 4 Bread & Butter Plates
- 4 Fruit Bowls
- 4 Cups & Saucers
- 4 Dinner Forks
- 4 Dinner Knives
- 4 Salad Forks
- 4 Teaspoons
- 2 Serving Spoons
- 1 Serving Spoons
- 1 Serving Fork
- NOTE: for ease of loading/unloading large size dinner plates from the dish rack it may be necessary to (temporarily) remove the cutlery basket. When loading/unloading is complete, return the cutlery basket to its original position.

### **Preparing your Dishes for Washing**

- Scrape off all solid food particles from the dishes.
- Remove excessive quantities of oil or grease.
- Empty any liquids from glasses and cups.
- NOTE: Dishes with dried-on foods are more difficult to wash and may not come clean in a normal wash cycle.
- Arrange all items with recessed or curved sections on a slant to drain water away.
- Cups, pots, glasses, etc should be placed upside down.

#### **When loading items to be washed:**

- Locate sharp items so that they are not likely to damage the door seal.
  - Load sharp knives with the handles up to reduce the risk of cut-type injuries
  - Do not load plastic items unless they are marked "dishwasher safe" or the equivalent. For plastic items not so marked, check the manufacturer's recommendations.
  - Do not load glasses over the dish rack pins. Glasses loaded over dish rack pins are not properly supported and are likely to get damaged.
- 
- Items with wooden or bone handles and items joined together with glue are unsuitable as they cannot resist hot water.
  - Do not touch the heating element during or immediately after use.
  - Do not operate your dishwasher unless all enclosure panels are properly in place.
  - Do not tamper with controls.
  - Do not abuse, sit on, or stand on the open door or dish-rack of the dishwasher. The machine may topple over.
  - Protect cables and hoses from high temperatures.
  - To reduce the risk of injury, do not allow children to operate or play with the dishwasher.

#### **Using the Right Detergent**

Use only detergent specifically made for use in dishwashers, as other types will cause over-sudding. If your detergent is old and/or lumpy, throw it away. Old detergent loses its washing power. Lumpy detergent won't dissolve.

#### **How much Detergent Should You Use**

That depends if your water is 'hard' or 'soft'.

**HARD WATER REQUIRES MORE DETERGENT TO GET DISHES CLEAN.**

**SOFT WATER REQUIRES LESS DETERGENT TO GET DISHES CLEAN.**

- The recessed detergent area located on the inside door panel will hold approximately 7 grams of detergent. Follow the detergent manufacturer's guidelines.

#### **Note:**

1. Load the salt before the beginning of wash cycle so as to prevent corrosion.
2. Only use dishwasher salt.

#### **Using a Rinsing Agent**

You can help prevent unsightly spots on dishes and glassware, and reduce drying time by using a rinse agent. A rinse agent is specially formulated to rinse away food and detergent residues that can be left behind on your dishes. Used regularly, a rinse agent will automatically provide you with cleaner dishes every time you wash.

To fill the rinse agent dispenser, unscrew the dispenser cap located on the inner door. Add the rinse agent slowly into the container until it just reaches the bottom of the filling cap inside the dispenser opening. Replace the cap. The dispenser automatically releases the rinse agent into the final rinse water.

**Note: Clean off large particles of food sediments before placing dishes in the dishwasher.**

#### **Using the "Sani-Wash" Feature**

If you have connected the washer to a cold water supply, you will need to leave it in the "Sani-Wash" setting. The "Sani-Wash" feature gives you the option of washing/drying dishes at high water temperatures. When activated, the "Sani-Wash" feature energizes a heating element that



will raise and maintain the internal water temperature of the dishwasher at 62°. Refer to Page 1, Front View, Item 6.

**! CAUTION !**

Water temperatures this high can cause severe burns/scalding. Always exercise extreme care when opening and/or entering the dishwasher during the Sani -Wash cycle.

To activate this feature, set the "Sani/Econo" button to the "in" position.

**Using the "Econo" Feature:**

The "Econo" feature gives you the option of washing dishes at the temperature of your hot water supply. The heating element will not come on.

To activate, set the "Sani/Econo" button to the "out" position.

**! IMPORTANT !**

When the "Econo" feature is activated, drying time for the dishes will be increased. The dishes dry by a "convection" method only. To speed-up the drying time after the program is complete, Push the "door open" button and the door pops open to a pre-set convection dry position.

## Operating Instructions

### To operate the dishwasher:

1. Make sure the inlet and drain hoses are correctly and securely connected.
2. Push the door release button to open the door.
3. Place the dishes on the dish rack and cutlery inside the cutlery basket.
4. Check to make sure that the rotating spray arm can turn freely all the way round. If necessary remove any obstacles.
5. Fill the detergent in the recessed area on inner door panel. (approx. 7 grams).
6. Close the door firmly
7. Open the water supply.
8. Turn the selector switch to the desired wash program. (Intensive, Normal, Rapid).
9. Push the power (on/off) button.
  - Push Button in = power on
  - Push Button out = power off

The power light will illuminate indicating the machine is receiving power.
10. The dishwasher stops automatically at the end of the programme. The power light will remain illuminated, until the power (on/off) button is switched off.
11. The dishwasher is designed to stop if the door is opened accidentally during operation.
12. After washing, dishes should be allowed to cool down for about 15 minutes so they are not too hot to handle. Dishes will cool quicker if the door is opened slightly.
13. After unloading the dishwasher, remove the filter, clean off any bits of food, and put the filter back in its position.

NOTE: At the beginning of each cycle, the dishwasher always starts in the "drain" mode. This is because the drain pump always retains a small amount of water (in the sump) from the previous cycle. This is necessary to keep the pump primed. Therefore, do not be alarmed if you see a small amount of water being pumped-out from the drain hose prior to the start of the regular wash cycle (THIS IS NORMAL).



## Programme Summary/Selection

### NORMAL/SANI WASH:

Water Temperature:	68°C
Programme Duration + Heating Time:	83 minutes
Water Consumption:	8 litres

### NORMAL/ECONO

Water Temperature:	45°C
Programme Duration:	63 Minutes
Water Consumption:	8 litres

### RAPID/SANI WASH:

Water Temperature:	Incoming Water Supply +7°C
Programme Duration + Heating Time:	12 minutes
Water Consumption:	6 litres

### RAPID/ECONO:

AS RAPID/SANI WASH

(Note: the washing time may vary according to the Incoming water temperature and the environmental temperature).

### Main technical data

Model	WP5A
Power input	1380W
Outer dimension	570x500x480mm
Net Weight	22.8kg
Max. water Consumption (Normal wash)	8L
Water pressure	0.03~1Mpa
Control manner	Mechanical
Detergent dosage	5~20g
Plate setting	4 sets 35 pieces

## COMMON DISHWASHING PROBLEMS AND SOLUTIONS

### PROBLEM

Dishwasher will not start

### POSSIBLE CAUSE

- \* Dishwasher not receiving Electrical power.
- \* Door is unlatched.
- \* Dishwasher not level.

### POSSIBLE SOLUTION

- \* Check electrical connection Fuse/circuit breaker.
- \* Close and latch door.
- \* Level unit.

Dishes not clean

- \* Improper loading
- \* Spray arm not rotating freely

- \* Arrange dishes so spray action reaches all surfaces.
- \* Do not overload dishwasher.

- \* Check spray arm to make sure nothing (i.e. cutlery) is obstructing spray arm rotation.
- \* Check if filter screen has become dislodged and obstructing spray arm rotation.

- \* Not enough detergent and/or improper detergent being used.

- \* Use more dishwasher detergent
- \* Do not use detergent that is hard or cracked.
- \* Use only a recommended dishwasher detergent.

- \* Improperly prepared dishes.

- \* Excess food soil and liquids should be removed from dishes before loading.

Chipping or breaking glassware	<ul style="list-style-type: none"> <li>* Water inlet hose kinked/bent due to improper installation.</li> <li>* Improper loading of dishes.</li> </ul>	<ul style="list-style-type: none"> <li>* Eliminate kink or bend from Inlet hose.</li> <li>* Do not overload dish rack. Load Glasses on the upper rack only, not over dish rack pins. Glasses loaded over dish rack pins are not properly supported and subject to damage.</li> </ul>
Water remains in bottom	<ul style="list-style-type: none"> <li>* A small amount of water (in sump area) is normal.</li> </ul>	<ul style="list-style-type: none"> <li>* This is necessary to keep the pump primed and is drained automatically at the beginning of each cycle.</li> </ul>
Dishwasher can't stop	<ul style="list-style-type: none"> <li>* Excessive amount of water; cycle not completed.</li> <li>* the draff is too much;</li> </ul>	<ul style="list-style-type: none"> <li>* Allow dishwasher to complete full cycle.</li> <li>* drain the water out and clear the filter</li> </ul>